



420 Highland Ave. Ext, Middletown, N.Y. 10940
 Office: 845-360-5363 | Toll Free: 800-781-8027 | Fax: 775-255-3044
 © RTG Lighting, Inc. | sales@rtglighting.com

EX250 Series LED

Exit & Emergency

PROJECT INFORMATION

Project Name	Type
Catalog No	Date

DESCRIPTION

The EX250 Series Exit & Emergency Light Combination is designed to stand up to corrosive atmospheres, non-hazardous dust environments, water spray or splashing water.

Two 7.2W top-mounted lamp heads provide effective safety lighting. Removable chevron style left/right directional arrays allow for all placements.

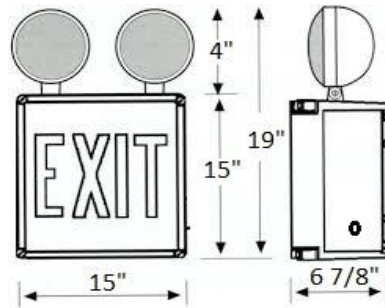
When ordering, please specify lettering color (red or green illuminated letters).



FEATURES

- UV stabilization, impact & corrosion resistant ABS plastic enclosure.
- One-piece molded weather-proof gasket seal..
- Conforms to UL924, NFPA 101, NEC, and OSHA standards.
- 120 or 277 VAC operation.
- LED indicator and push to test switch.
- Sealed maintenance free Ni-cad battery provides minimum 90 minute emergency run time

DIMENSIONS



WARRANTY

5 years

Example

EX250 14.4w - - - MV WM Red -

ORDERING INFORMATION

EX250	Watts / Lumens / Length	Color Temp	Voltage	Mounts	Options	Finish Options
	14.4w - -	-	100-277V (MV)	Wall Mount (WM)		Red Green