



420 Highland Ave. Ext, Middletown, N.Y. 10940
 Office: 845-360-5363 | Toll Free: 800-781-8027 | Fax: 775-255-3044
 © RTG Lighting, Inc. | sales@rtglighting.com

HZ155 Series LED

Hazardous Locations



PROJECT INFORMATION

Project Name	Type
Catalog No	Date

DESCRIPTION

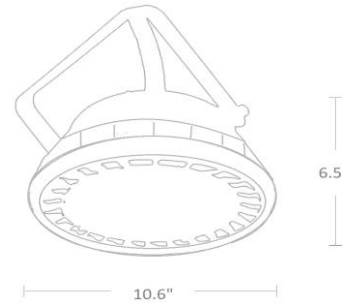
This luminaire can be used as a replacement of traditional fluorescent lamps, which can provide general illumination in hazardous locations, such as Oil Refineries and Gas Stations, Oil and Gasoline Loading Docks, Distilleries, Paint Manufacturing Plants, Mines and Vessels.

Ratings and Certifications: NEMA 4X; IP66; UL 1598/UL1589A/UL844; CSA C22.2 No. 137/No. 250.0, Class I, Division 2, Groups A, B, C, D Class II, Division 1, Groups E, F, G Class II, Division 2, Groups E, F, G Class III; Marine and Wet Locations; IECEx; ATEX.

FEATURES

- Surface Mount and Pendant Mount Options Available
- Wide and Narrow Optic Outputs for Uniform Illumination
- High Vibration Resistance
- Copper-free aluminum housing
- L70 Rated for 150,000 Burning Hours
- IP66

DIMENSIONS



WARRANTY

10 Years

Example

HZ155	20W 2,800 Lm 10.6"	4000K	200-480V	SM	DIM	-
--------------	--------------------	-------	----------	----	-----	---

ORDERING INFORMATION

HZ155	Watts / Lumens / Length	Color Temp	Voltage	Mounts	Options	Finish Options
	20W 2,800 Lm 10.6"	4000K, 5000K	100-277V or 200-480V	Surface Mount (SM) Pendant (PE)	Dimmable (DIM) Glass Lens (GL) Wire Guard (WG)	-
	30W 4,200 Lm 10.6"					
	40W 5,600 Lm 10.6"					
	50W 7,000 Lm 10.6"					
	60W 8,400 Lm 10.6"					
	70W 9,800 Lm 10.6"					
	80W 11,200 Lm 10.6"					