



420 Highland Ave. Ext, Middletown, N.Y. 10940
 Office: 845-360-5363 | Toll Free: 800-781-8027 | Fax: 775-255-3044
 © RTG Lighting, Inc. | sales@rtglighting.com

MS200 Series LED

Security Lights

PROJECT INFORMATION

Project Name	Type
Catalog No	Date



DESCRIPTION

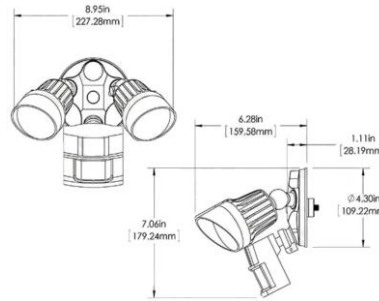
The LED MS200 Series with Motion Sensor utilizes the recent technology of LED for total coverage and sophisticated look. It is the best when it comes to safety, reliability, and security. The light output is of 1,800 Lm which provides high range of security at an affordable price. These are easy to install and are a perfect choice even for sunlight exposed region.



FEATURES

- LED Security light with motion sensor
- Optical Grade PC lamp shade
- Aluminum alloy shell provides heat dissipation and anti-corrosion
- 180° Optional Motion Sensor
- Available in Bronze and Black
- 50,000 Burning Hours
- DLC Listed

DIMENSIONS



WARRANTY

5 Years

Example

MS200 20W 1,800 Lm 8,9" 5000K 120V WM MS Black

ORDERING INFORMATION

MS200	Watts / Lumens / Length	Color Temp	Voltage	Mounts	Options	Finish Options
	20W 1,800 Lm 8,95"	4000K, 5000K	120V	Wall Mount (WM)	180° Motion Sensor (MS)	Black